

SINGLE PHASE & THREE PHASE
COMPACT ELECTRIC CHAIN HOISTS



AGGOLIFT[®] GLH

ELECTRIC CHAIN HOISTS - 1/2 to 2 TON



ACCOLIFT[®]

ACCOLIFT[®] electric chain hoists, hand chain hoists, lever hoists and trolleys are high quality products built for long service in industrial applications. All ACCOLIFT[®] products are stocked at our Chicago warehouse, available for immediate shipment.

Other brands from ACCO Material Handling Solutions:

WRIGHT[®]
WORK-RATED[®]
SPEEDWAY[®]
WRIGHT-WAY[®]

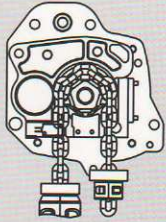
mansaver[®]
VAC-U-LIFT[®]

LOUDEN[®]
TRAMBEAM[®]
HEAVY-RATED[™]
NUTTING[®]

WARNING: Equipment described herein is not designed for, and should not be used for lifting, supporting, or transporting humans. Modifications to upgrade, rerate, or otherwise alter the hoist or crane equipment shall be authorized only by the original manufacturer or qualified professional engineer. Failure to comply with any one of the limitations noted herein may result in serious bodily injury.

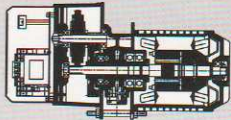
WARRANTY: All equipment is covered by the following warranties: The Seller warrants to the original using Buyer thereof that the goods sold under this agreement are free from defects in workmanship and materials for a period of one year from the date of shipment to the using Buyer. No other express warranties are given and no affirmation of Seller or Seller's agents, by word or action, shall constitute a warranty. Any variations in details between the goods quoted herein and those covered in Buyer's specifications are due to standards of manufacture not to be construed as exceptions to the specifications.

ELECTRIC CHAIN HOISTS - STANDARD FEATURES



Friction Clutch & Upper Limit Switch

The friction clutch is an overload protection device that idles the motor when overloaded. This function prevents the hoist body or load chain from being damaged. In addition, when the load is lifted to high hook, the upper limit switch activates and stops the hoist motor in the up direction preventing unnecessary clutch wear.



Brake

Cone type brake is operated by a powerful pull rotor using magnetic force. The brake is adjustable to extend the life of the brake lining.



Push Button Control

Compact design to enable one-handed operation. Rated NEMA 4 protection. Mushroom on/off button included. Push button cable has strain relief to prevent cable damage.



Electric Control Panel

Single speed hoists are reconnectable for 115/230V on single phase hoists and 208-230-460V on three phase hoists. Controls are housed in a NEMA 12 enclosure. Control transformer output is 115/1/60. Standard power supply cord is 15'.



Variable Frequency Drive

Available with Variable Frequency Drive (VFD) controls. VFD is programmed for 2-speed operation. VFD hoists can be supplied for 230-1-60, 208/230/3/60 and 460/3/60 power supplies.



Heavy-Duty Hoist Motor

The hoist motor is a high torque design and is rated 30-minute duty. Class B motor insulation and standard thermal motor protection is included.



Load Sheave / Chain Guide

Full floating chain guide assures proper engagement of chain on load sheave. Features 5 pockets for smoother operation and better distribution of the load.



Load Chain

Grade 80 load chain is case hardened and has a high resistance to wear and corrosion. All hoists are stocked with 20 feet of lift. Longer lifts are available per requirement. Nickel Plated load chain is available as an option.



Hooks

Load hook is a forged carbon steel hook with a heavy-duty hook latch. Thrust bearing in hook allows 360° rotation to prevent twisting of load chain. Top hook, for hook suspended hoists, is nonrotating.



Chain Container

Chain container is standard equipment and is either molded with thick polypropylene material or fabricated from steel to securely contain the chain and chain lubricant. Optional containers are available for long lift applications.



Gear Box / Oil Lubrication

The gearbox utilizes an alloy steel helical and spur gear reduction. Gear inspection and lubrication is easily accessible from the top of the hoist.



Push / Pull Trolley

Trolley is adjustable for a range of flange widths. Side guide rollers are included to promote smooth trolley motion and to minimize wheel and beam wear. Wheels are dual tread design for operation on tapered or flat flange beams. Trolleys include drop down lugs and rubber bumpers.

SINGLE PHASE - HOOK SUSPENSION

SINGLE PHASE / SINGLE SPEED HOOK SUSPENSION

Cap. (Tons)	Model Number	Std. Lift (ft.)	Push Button Cord Length (ft.)	Lifting Speed (fpm)	Hoist Motor			Load Chain Diameter (in.) X Chain Fall Lines	Add'l 1 ft. of Lift (lbs.)	Net Wt. (lbs.)
					HP	Amp. Draw				
						115V	230V			
1/2	2330010	20	18	14	1.1	24.0	11.8	.280 X (1)	0.67	139
1	2330020	20	18	14	1.1	24.0	11.8	.280 X (1)	0.67	139
2	2330040	20	18	7	1.1	24.0	11.8	.280 X (2)	1.34	172

SINGLE PHASE / INVERTER CONTROL HOOK SUSPENSION

Cap. (Tons)	Model Number	Std. Lift (ft.)	Push Button Cord Length (ft.)	Lifting Speed (fpm)	Hoist Motor			Load Chain Diameter (in.) X Chain Fall Lines	Add'l 1 ft. of Lift (lbs.)	Net Wt. (lbs.)
					HP	Amp. Draw				
						-	230V			
1/2	2330010-VFD-230-1	20	18	17/6	2	-	8.0	.280 X (1)	0.67	148
1	2330020-VFD-230-1	20	18	17/6	2	-	8.0	.280 X (1)	0.67	148
2	2330040-VFD-230-1	20	18	9/3	2	-	8.0	.280 X (2)	1.34	181

THREE PHASE - HOOK SUSPENSION

THREE PHASE / SINGLE SPEED HOOK SUSPENSION

Cap. (Tons)	Model Number	Std. Lift (ft.)	Push Button Cord Length (ft.)	Lifting Speed (fpm)	Hoist Motor			Load Chain Diameter (in.) X Chain Fall Lines	Add'l 1 ft. of Lift (lbs.)	Net Wt. (lbs.)
					HP	Amp. Draw				
						208/230V	460V			
1/2	2230010	20	18	17	2	7.9/9.2	3.9	.280 X (1)	0.67	134
1	2230020	20	18	17	2	7.9/9.2	3.9	.280 X (1)	0.67	134
2	2230040	20	18	9	2	7.9/9.2	3.9	.280 X (2)	1.34	168

THREE PHASE / INVERTER CONTROL HOOK SUSPENSION

Cap. (Tons)	Model Number	Std. Lift (ft.)	Push Button Cord Length (ft.)	Lifting Speed (fpm)	Hoist Motor			Load Chain Diameter (in.) X Chain Fall Lines	Add'l 1 ft. of Lift (lbs.)	Net Wt. (lbs.)
					HP	Amp. Draw				
						208/230V	460V			
1/2	2230010-VFD-230	20	18	17/6	2	7.4/7.7	-	.280 X (1)	0.67	146
1/2	2230010-VFD-460	20	18	17/6	2	-	3.3	.280 X (1)	0.67	146
1	2230020-VFD-230	20	18	17/6	2	7.4/7.7	-	.280 X (1)	0.67	146
1	2230020-VFD-460	20	18	17/6	2	-	3.3	.280 X (1)	0.67	146
2	2230040-VFD-230	20	18	9/3	2	7.4/7.7	-	.280 X (2)	1.34	181
2	2230040-VFD-230	20	18	9/3	2	-	3.3	.280 X (2)	1.34	181

DIMENSIONS - HOOK SUSPENSION

Figure A

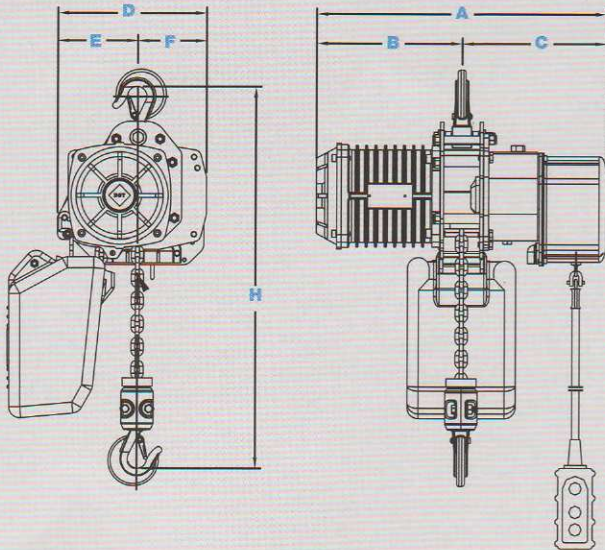
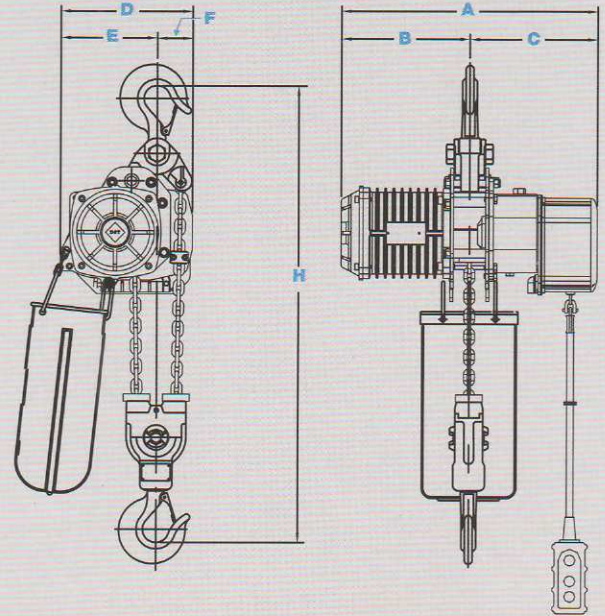


Figure B



Dimensions in Inches (Nominal). *For hook dimensions, see page 8.*

Model Number	A	B	C	D	E	F	H	Figure
2230010	20.7	10.4	10.3	10.7	5.8	4.9	15.8	A
2230020	20.7	10.4	10.3	10.7	5.8	4.9	15.8	A
2230040	20.7	10.4	10.3	10.7	7.8	2.9	26.8	B
2230010-VFD-230	23.9	10.4	13.5	12.9	5.8	7.1	15.8	A
2230010-VFD-460	23.9	10.4	13.5	12.9	5.8	7.1	15.8	A
2230020-VFD-230	23.9	10.4	13.5	12.9	5.8	7.1	15.8	A
2230020-VFD-460	23.9	10.4	13.5	12.9	5.8	7.1	15.8	A
2230040-VFD-230	23.9	10.4	13.5	12.9	7.8	5.1	26.8	B
2230040-VFD-460	23.9	10.4	13.5	12.9	7.8	5.1	26.8	B
2330010	21.5	10.4	11.1	10.7	5.8	4.9	15.8	A
2330020	21.5	10.4	11.1	10.7	5.8	4.9	15.8	A
2330040	21.5	10.4	11.1	10.7	7.8	2.9	26.8	B
2330010-VFD-1	23.9	10.4	13.5	10.7	5.8	4.9	15.8	A
2330020-VFD-1	23.9	10.4	13.5	10.7	5.8	4.9	15.8	A
2330040-VFD-1	23.9	10.4	13.5	10.7	7.8	2.9	26.8	B

SINGLE PHASE - PUSH / PULL TROLLEY

SINGLE PHASE / SINGLE SPEED PUSH / PULL TROLLEY

Cap. (Tons)	Model Number	Std. Lift (ft.)	Push Button Cord Length (ft.)	Lifting Speed (fpm)	Hoist Motor			Flange Width Adjustability (in.)	Wheel Diameter (in.)	Min. Beam Radius (in.)	Load Chain Diameter (in.) X Chain Fall Lines	Add'l 1 ft. of Lift (lbs.)	Net Wt. (lbs.)
					HP	Amp. Draw							
						115V	230V						
1/2	2330010-PT	20	18	14	1.1	24.0	11.8	3.25 to 12	3.8	31.5	.280 X (1)	0.67	188
1	2330020-PT	20	18	14	1.1	24.0	11.8	3.25 to 12	3.8	31.5	.280 X (1)	0.67	188
2	2330040-PT	20	18	7	1.1	24.0	11.8	3.25 to 12	4.3	31.5	.280 X (2)	1.34	238

SINGLE PHASE / INVERTER CONTROL PUSH / PULL TROLLEY

Cap. (Tons)	Model Number	Std. Lift (ft.)	Push Button Cord Length (ft.)	Lifting Speed (fpm)	Hoist Motor			Flange Width Adjustability (in.)	Wheel Diameter	Min. Beam Radius (in.)	Load Chain Diameter (in.) X Chain Fall Lines	Add'l 1 ft. of Lift (lbs.)	Net Wt. (lbs.)
					HP	Amp. Draw							
						-	230V						
1/2	2330010-VFD-230-1-PT	20	18	17/6	2	-	8.0	3.25 to 12	3.8	31.5	.280 X (1)	0.67	197
1	2330020-VFD-230-1-PT	20	18	17/6	2	-	8.0	3.25 to 12	3.8	31.5	.280 X (1)	0.67	197
2	2330040-VFD-230-1-PT	20	18	9/3	2	-	8.0	3.25 to 12	4.3	31.5	.280 X (2)	1.34	247

THREE PHASE - PUSH / PULL TROLLEY

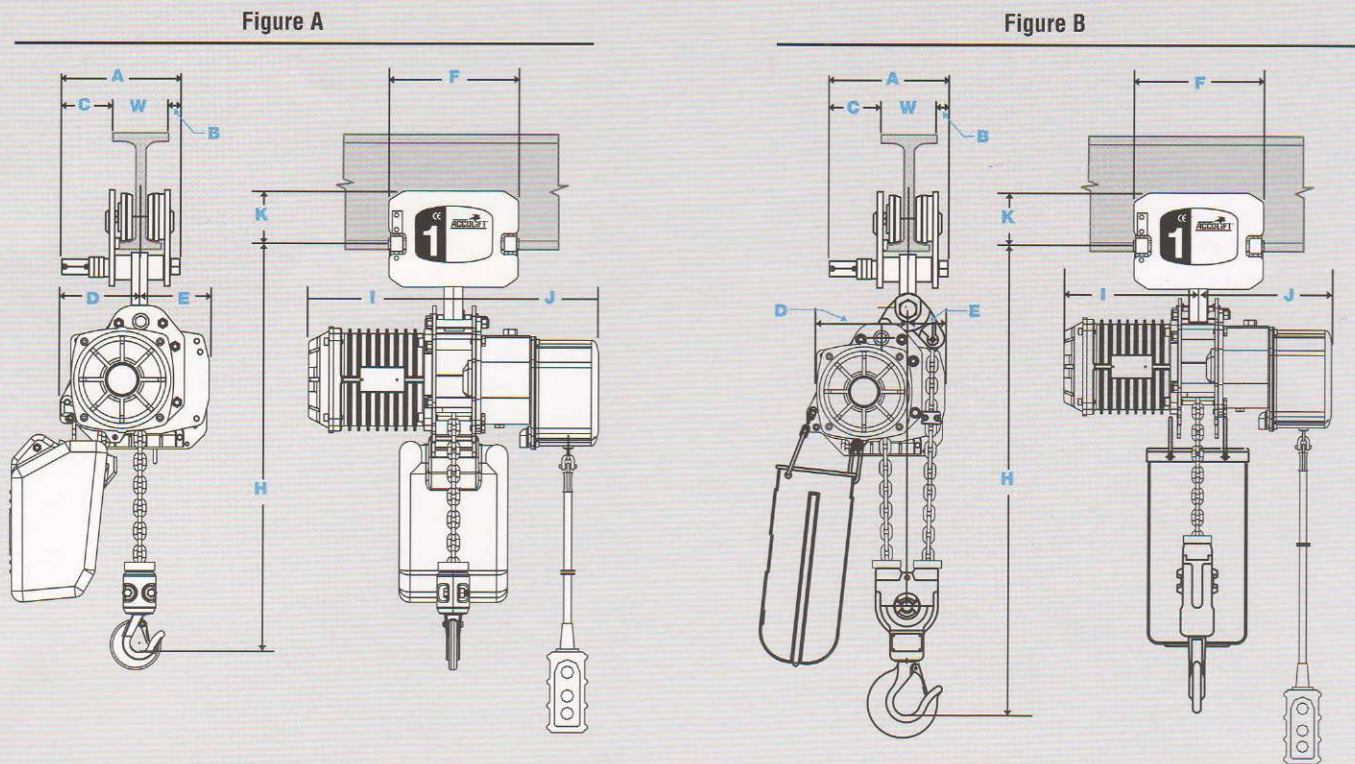
THREE PHASE / SINGLE SPEED PUSH / PULL TROLLEY

Cap. (Tons)	Model Number	Std. Lift (ft.)	Push Button Cord Length (ft.)	Lifting Speed (fpm)	Hoist Motor			Flange Width Adjustability (in.)	Wheel Diameter (in.)	Min. Beam Radius (in.)	Load Chain Diameter (in.) X Chain Fall Lines	Add'l 1 ft. of Lift (lbs.)	Net Wt. (lbs.)
					HP	Amp. Draw							
						208V & 230V	460V						
1/2	2230010-PT	20	18	17	2	7.9/9.2	3.9	3.25 to 12	3.8	31.5	.280 X (1)	0.67	183
1	2230020-PT	20	18	17	2	7.9/9.2	3.9	3.25 to 12	3.8	31.5	.280 X (1)	0.67	183
2	2230040-PT	20	18	9	2	7.9/9.2	3.9	3.25 to 12	4.3	31.5	.280 X (2)	1.34	234

THREE PHASE / INVERTED CONTROL PUSH / PULL TROLLEY

Cap. (Tons)	Model Number	Std. Lift (ft.)	Push Button Cord Length (ft.)	Lifting Speed (fpm)	Hoist Motor			Flange Width Adjustability (in.)	Wheel Diameter	Min. Beam Radius (in.)	Load Chain Diameter (in.) X Chain Fall Lines	Add'l 1 ft. of Lift (lbs.)	Net Wt. (lbs.)
					HP	Amp. Draw							
						208V & 230V	460V						
1/2	2230010-VFD-230-PT	20	18	17/6	2	7.4/7.7	-	3.25 to 12	3.8	31.5	.280 X (1)	0.67	195
1/2	2230010-VFD-460-PT	20	18	17/6	2	-	3.3	3.25 to 12	3.8	31.5	.280 X (1)	0.67	195
1	2230020-VFD-230-PT	20	18	17/6	2	7.4/7.7	-	3.25 to 12	3.8	31.5	.280 X (1)	0.67	195
1	2230020-VFD-460-PT	20	18	17/6	2	-	3.3	3.25 to 12	3.8	31.5	.280 X (1)	0.67	195
2	2230040-VFD-230-PT	20	18	9/3	2	7.4/7.7	-	3.25 to 12	4.3	31.5	.280 X (2)	1.34	247
2	2230040-VFD-460-PT	20	18	9/3	2	-	3.3	3.25 to 12	4.3	31.5	.280 X (2)	1.34	247

DIMENSIONS - PUSH / PULL TROLLEY



Dimensions in Inches (Nominal). *For hook dimensions, see page 8.*

Model Number	A	B	C W = Beam width	D	E	F	H	I	J	K	Figure
2230010-PT	17	1.8	15.2-W	5.8	4.9	11.7	17.5	10.4	10.3	5.2	A
2230020-PT	17	1.8	15.2-W	5.8	4.9	11.7	17.5	10.4	10.3	5.2	A
2230040-PT	17.5	1.8	15.7-W	7.8	2.9	12.4	26	10.4	10.3	5.2	B
2230010-VFD-230-PT	17	1.8	15.2-W	5.8	7.1	11.7	17.5	10.4	13.5	5.2	A
2230010-VFD-460-PT	17	1.8	15.2-W	5.8	7.1	11.7	17.5	10.4	13.5	5.2	A
2230020-VFD-230-PT	17	1.8	15.2-W	5.8	7.1	11.7	17.5	10.4	13.5	5.2	A
2230020-VFD-460-PT	17	1.8	15.2-W	5.8	7.1	11.7	17.5	10.4	13.5	5.2	A
2230040-VFD-230-PT	17.5	1.8	15.7-W	7.8	5.1	12.4	26	10.4	13.5	5.2	B
2230040-VFD-460-PT	17.5	1.8	15.7-W	7.8	5.1	12.4	26	10.4	13.5	5.2	B
2330010-PT	17	1.8	15.2-W	5.8	4.9	11.7	17.5	10.4	11.1	5.2	A
2330020-PT	17	1.8	15.2-W	5.8	4.9	11.7	17.5	10.4	11.1	5.2	A
2330040-PT	17.5	1.8	15.7-W	7.8	2.9	12.4	26	10.4	11.1	5.2	B
2330010-VFD-1-PT	17	1.8	15.2-W	5.8	4.9	11.7	17.5	10.4	13.5	5.2	A
2330020-VFD-1-PT	17	1.8	15.2-W	5.8	4.9	11.7	17.5	10.4	13.5	5.2	A
2330040-VFD-1-PT	17.5	1.8	15.7-W	7.8	2.9	12.4	26	10.4	13.5	5.2	B

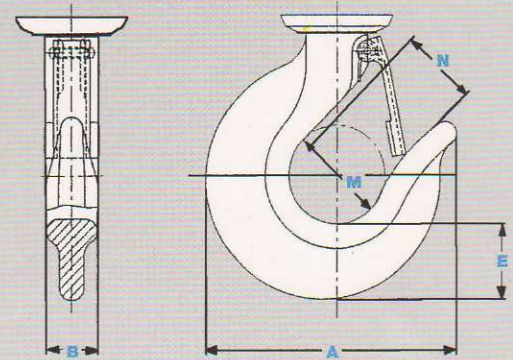
OPTIONAL FEATURES FOR ACCOLIFT® CLH CHAIN HOISTS

- Additional Lift
- Nickel Plated Load Chain
- Hoist Rain Cover
- 48V Control Voltage
- Additional Pendant Buttons
- Canvas Chain Bag

ACCOLIFT® CLH CHAIN HOISTS - HOOK DIMENSIONS

Dimensions in Inches (Nominal)

Capacity	A	B	E	M	N
1/2 Ton	3.82	0.95	1.24	1.38	0.93
1 Ton	3.82	0.95	1.24	1.38	0.93
2 Ton	5.73	1.18	1.69	2.11	1.54



ACCOLIFT® CLH CHAIN HOISTS - CHAIN BUCKET CAPACITIES

Hoist Capacity	Max. Lift With Standard Chain Bucket (ft.)	Max. Lift With Optional Chain Bucket (ft.)	Max. Lift With Optional Canvas Chain Bag (ft.)
1/2 Ton	24 (71964-1132)	60 (71574-1038)	40 (71574-1264)
1 Ton	24 (71964-1132)	60 (71574-1038)	40 (71574-1264)
2 Ton	30 (71964-2132) or (71574-1038)	65 (71574-1039)	20 (71574-1264)

Steel buckets may be available for longer lifts than stated above - please call factory with your application.



ACCO Material Handling Solutions
 76 Acco Drive, Box 792, York, PA 17405-0792
 717-741-4863, 800-967-7333, FAX 800-715-8897
 E-mail: info@accomhs.com
 www.accomhs.com